

ENTERTAINERS - BAR

The Entertainer's Bar is a wonderful choice for those looking to have guests over for cocktails. This bar also includes plenty of counterspace for appetizers or whatever you choose to serve your guests.

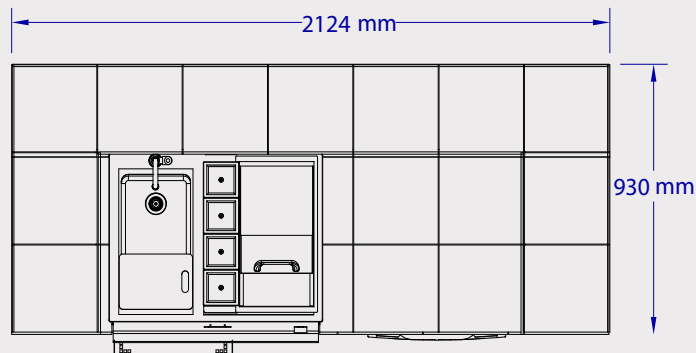
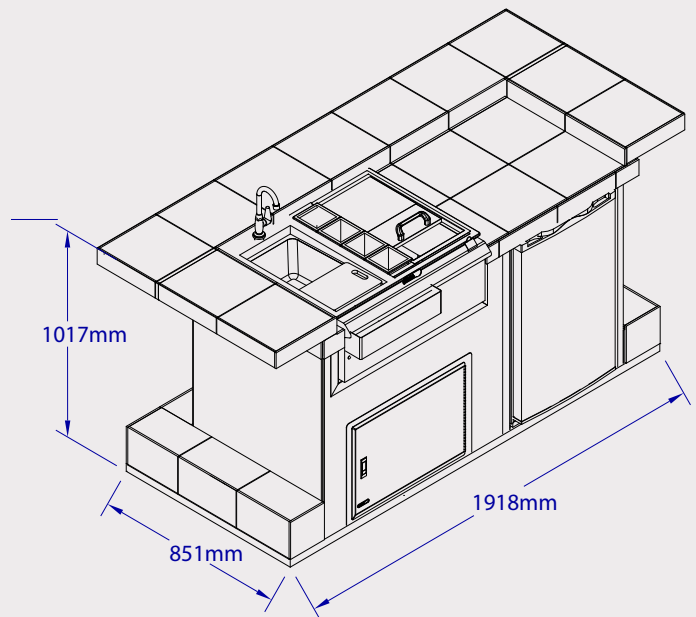


IMAGE DISPLAYED CONTAINS UPGRADED FEATURURES

STANDARD FEATURES	
# 31031	
Grill Type as Standard.	✘
Standard Fridge #11002.	✔
Stucco Base Standard.	✔
Rock / Gres Base Standard.	#31032
Tile Top 30cm x 30cm with Bullnose Single Tone or 2-Tone.	✔
Horizontal Access Door #89970	✔
Power outlet & Switch.	✘
Bar Center	#85624
STRUCTURE DIMENSIONS	
Base Footprint Size.	192 x 85 cm
Top Size.	213 x 93 cm
UPGRADES	
Caddy Upgrades within the same size kichen structure	#97623
Upgrade Base Options	Stucco Rock #12397 Base tile Trim Upgrade #12406
Upgrade from Tile Top To Solid Gres Coverlam and Stainless Steel Bullnose.	#43010
Upgrade Stainless Steel Lining with middle shelf for #89970	#89972
Upgradeable Doors	Double Doors #33568 Dr/Drw Combo #25876 Trash/Door Combo #65785
Upgrade S/Steel Lining with middle shelf for Above.	Double Doors #74000 Combos #89973
Upgradeable Drawers	Single Drawer #09970
OPTIONALS	
Grill Frame optional.	✘
Side Burner optional.	✘
Fridge optional.	#13700CE / #13100CE / #17400CE / #17900CE
Bar Caddy optional.	✘
Cutting Board optional.	✘
Bottle Opener optional #66006.	✘
Large vertical door option for gas bottle insertion from SIDE.	✘
WARRANTY DETAILS	
Island Structure.	2 years
Kitchen Top.	2 years
PACKING DIMENSIONS	
Wooden Crate Length.	250 cm
Wooden Crate Width.	110 cm
Wooden Crate Height.	190 cm
Wooden Crate Cube.	5.23 m ³
Complete Crated Weight.	Stucco 400 Kg Rock 650 Kg

