

POWER - BAR

The Power Bar - Outdoor Island is a great place to gather around with friends and family for refreshments. This Island comfortably seats 4 adults. The 458mm Bar Centre is the perfect place to chill your favourite drinks and condiments.

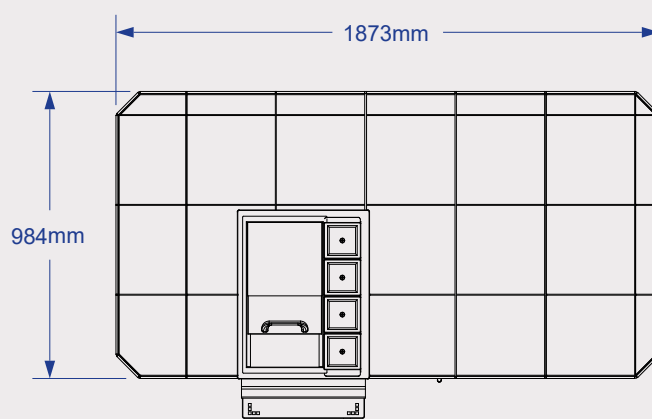
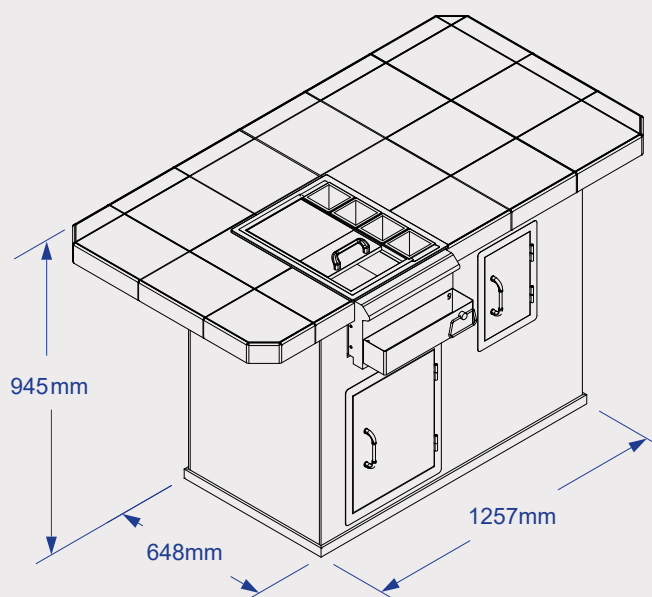


IMAGE DISPLAYED CONTAINS UPGRADED FEATURURES

STANDARD FEATURES	
#31047	
Grill Type as Standard.	x
Standard Fridge #11002.	x
Stucco Base Standard.	✓
Rock / Gres Base Standard.	#31048
Tile Top 30cm x 30cm with Bullnose Single Tone or 2-Tone.	✓
Horizontal Access Door #89970	✓
Power outlet & Switch.	x
Bar Centre	#85624
STRUCTURE DIMENSIONS	
Base Footprint Size.	126 x 65 cm
Top Size.	188 x 99 cm
UPGRADES	
Caddy Upgrades within the same size kichen structure	#97623
Upgrade Base Options	Stucco Rock #12397/ Base tile Trim Upgrade #12406
Upgrade from Tile Top To Solid Gres Coverlam and Stainless Steel Bullnose.	#43010
Upgrade Stainless Steel Lining with middle shelf for #89970	#89972
Upgradeable Doors	#89975 #98552
Upgrade S/Steel Lining with middle shelf for Above.	Vertical Door #89973
Upgradeable Drawers Single Drawer #09970 can only fit with #89970 when under a Bar Centre.	x
OPTIONALS	
Grill Frame optional.	x
Side Burner optional.	x
Fridge optional.	#13700CE / #13100CE / #17400CE / #17900CE
Bar Caddy optional.	x
Cutting Board optional.	x
Bottle Opener optional #66006.	✓
Large vertical door option for gas bottle insertion from SIDE. No linings possible on face.	x
WARRANTY DETAILS	
Island Structure.	2 years
Kitchen Top.	2 years
PACKING DIMENSIONS	
Wooden Crate Length.	200 cm
Wooden Crate Width.	120 cm
Wooden Crate Height.	1.8 cm
Wooden Crate Cube.	4.32 m3
Complete Crated Weight.	Stucco 330 Kg Rock 400 Kg