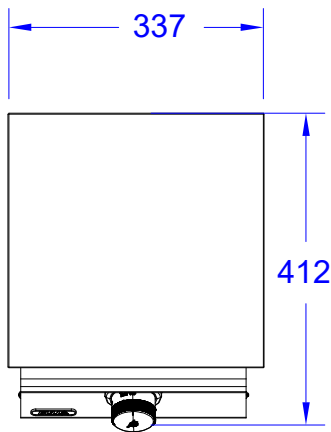
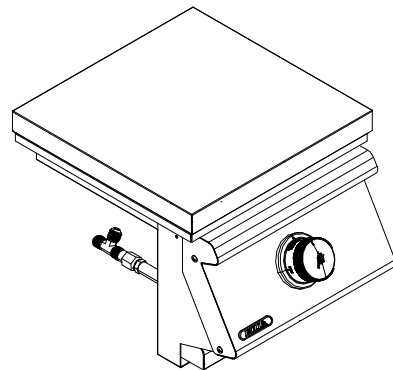




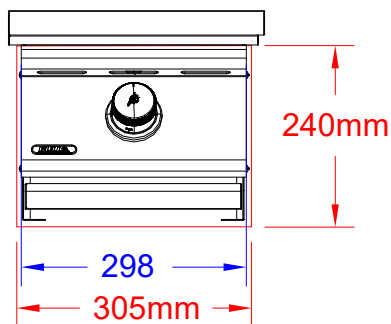
ITEMS: #60018CE LP, #60019CE NG  
PRO BURNER



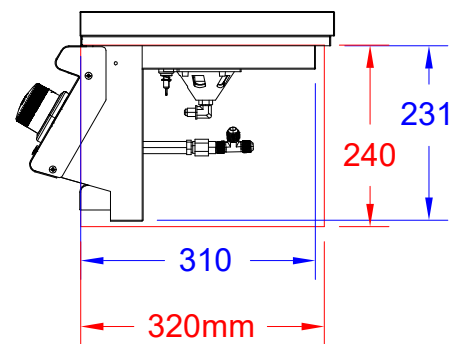
Top View



Isometric View



Front View



Side View

SPEC SHEET NOTES:

1. CUTOUT DIMENSIONS : 305L X 320D X 240H
2. SCALE: 1 : 10 ( Printer page scaling none, do not use fit to printable area option)
3. REVISION: 01/2022