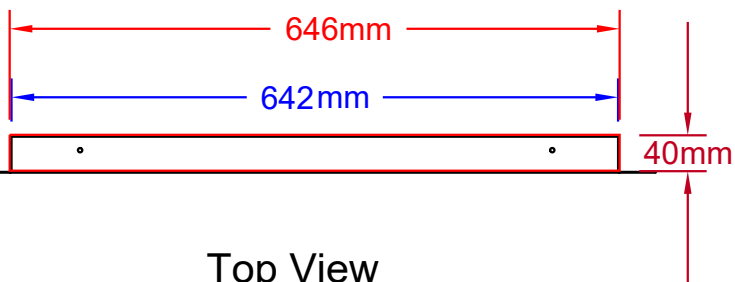
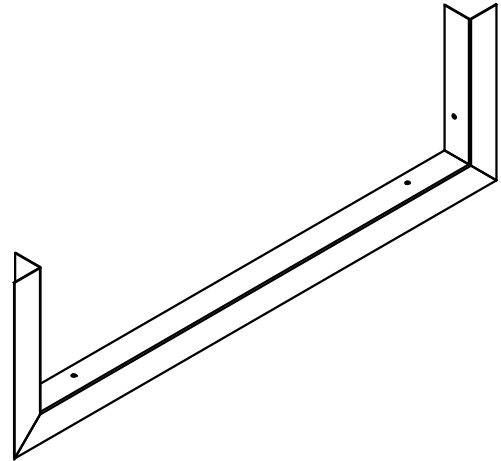




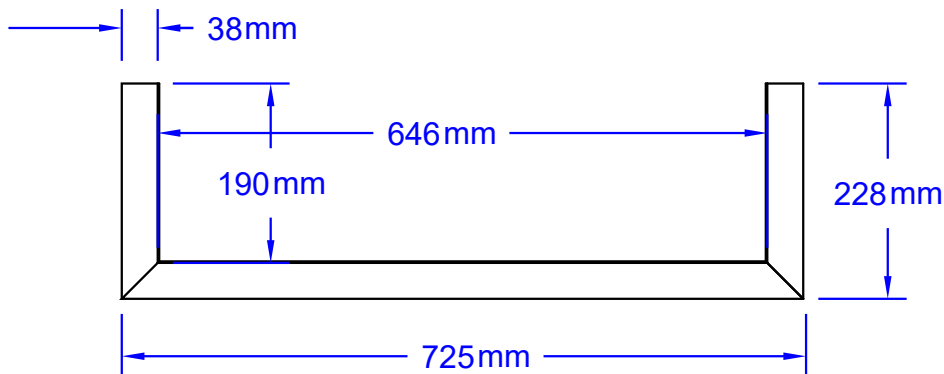
ITEMS: #69428  
STEER FINISHING FRAME



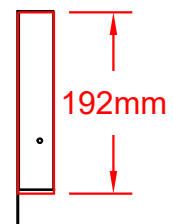
Top View



Isometric View



Front View



Side View

SPEC SHEET NOTES:

1. CUTOUT DIMENSIONS : 646L X 40D X 192H
2. SCALE: 1 : 8 ( Printer page scaling none, do not use fit to printable area option )
3. REVISION: 07/2018