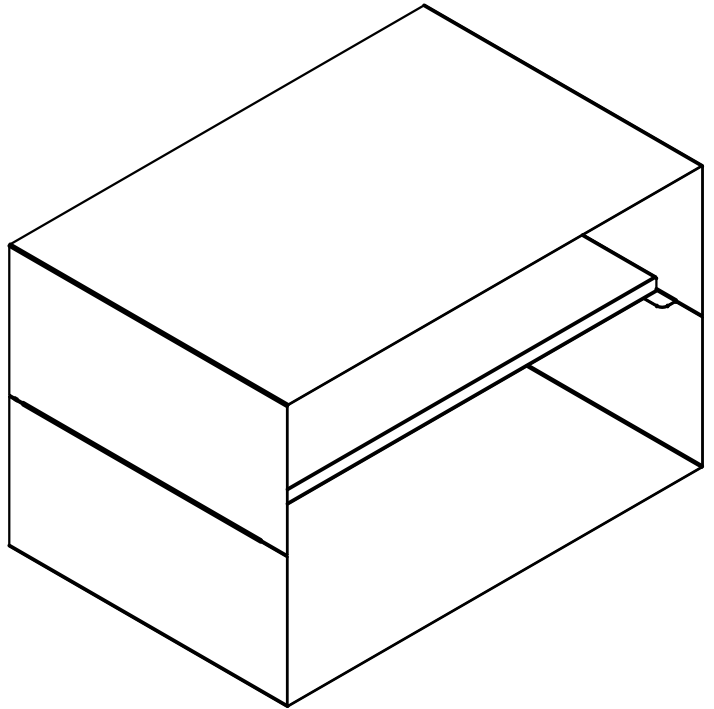
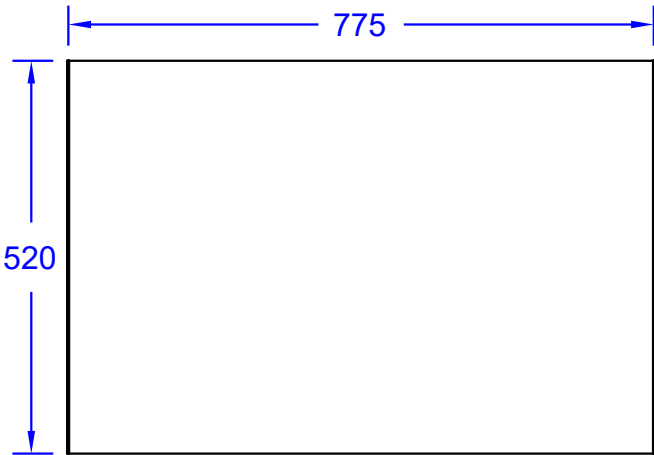




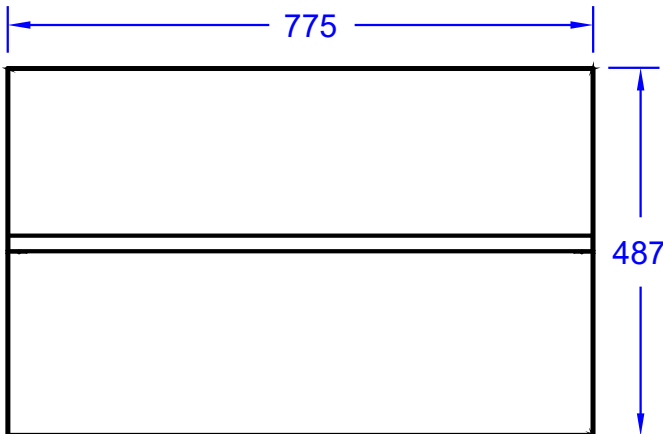
ITEMS: #74000
DOUBLE DOOR PANTRY



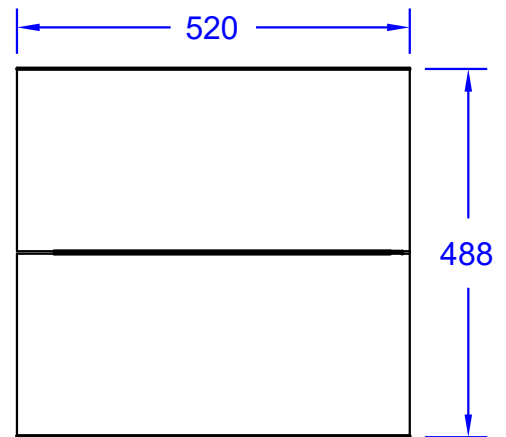
Isometric View



Top View



Front View



Side View

SPEC SHEET NOTES:

- 1. SCALE: 1 : 10 (Printer page scaling none, do not use fit to printable area option)
- 2. REVISION: 07/2019