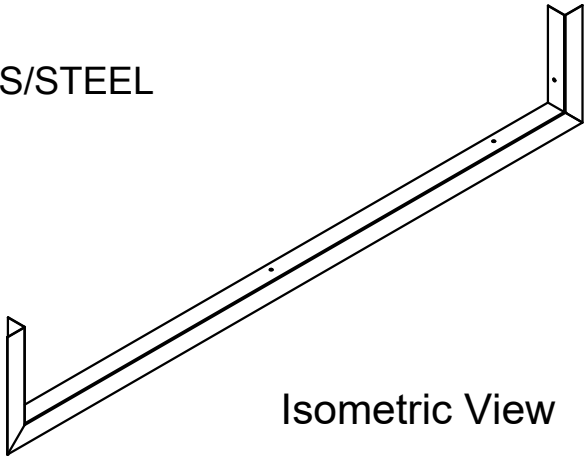
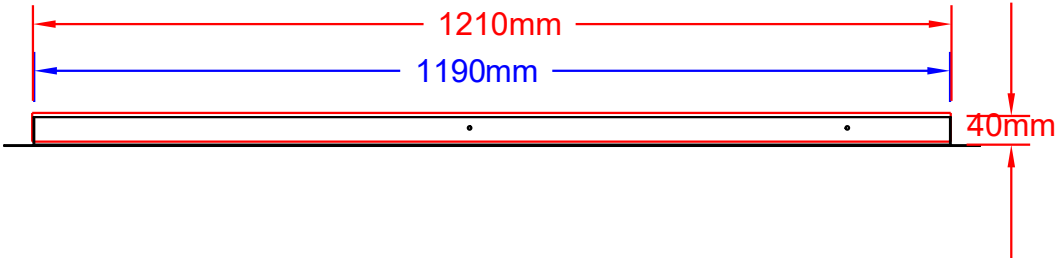


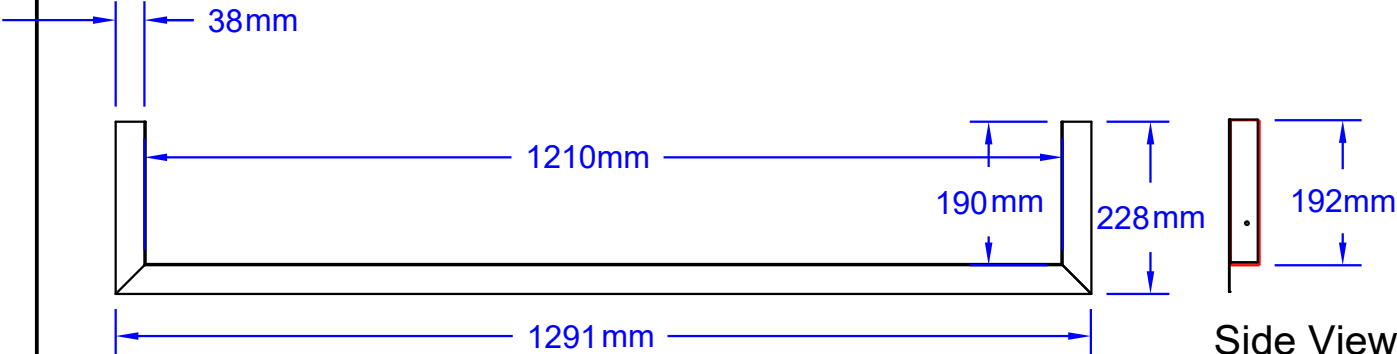
ITEMS: #493287B  
 121CM 7 BURNER FINISHING FRAME S/STEEL



Isometric View



Top View



Front View

Side View

SPEC SHEET NOTES:

- 1. CUTOUT DIMENSIONS :1216L X 40D X 192H
- 2. SCALE: 1 : 10 ( Printer page scaling none, do not use fit to printable area option)
- 3. REVISION: 09/2019