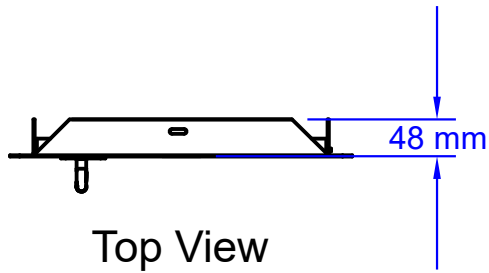
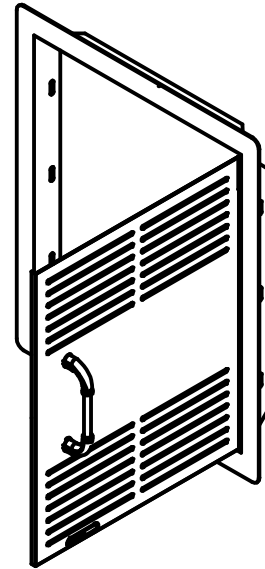




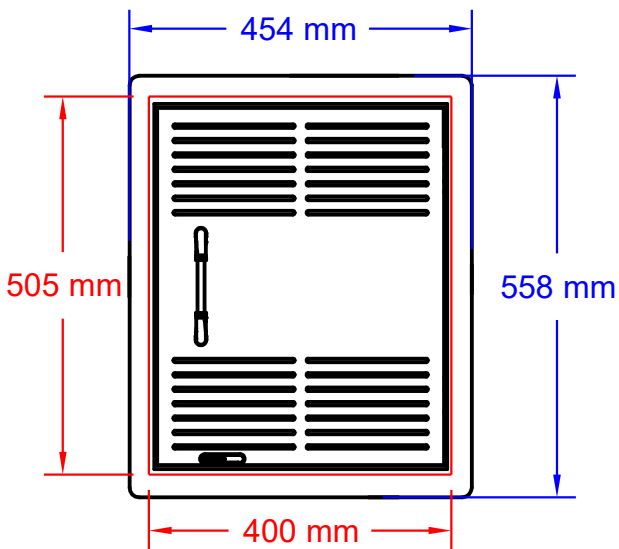
ITEMS: #89980
VENTED SINGLE VERTICAL DOOR



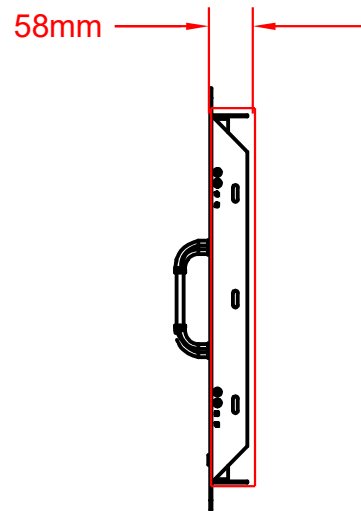
Top View



Isometric View



Front View



Side View

SPEC SHEET NOTES:

1. CUT DIMENSION 400L X 58D X 505H
2. SCALE: 1 : 10 (Printer page scaling none, do not use fit to printable area option)
3. REVISION: 07/2021